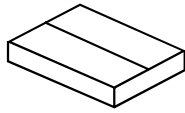
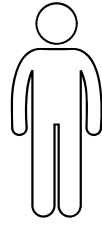




20 min



x1



x2



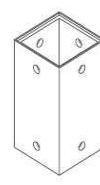
(1) x1



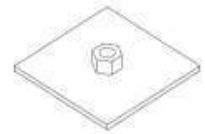
(2) x2



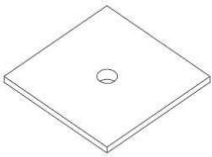
(3) x2



(4) x1



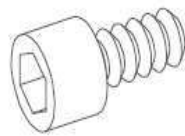
(5) x1



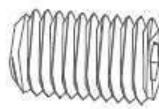
(6) x1



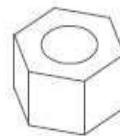
A x1



B x8



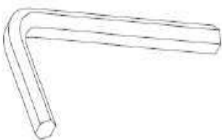
C x8



D x1



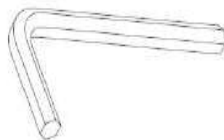
E x4



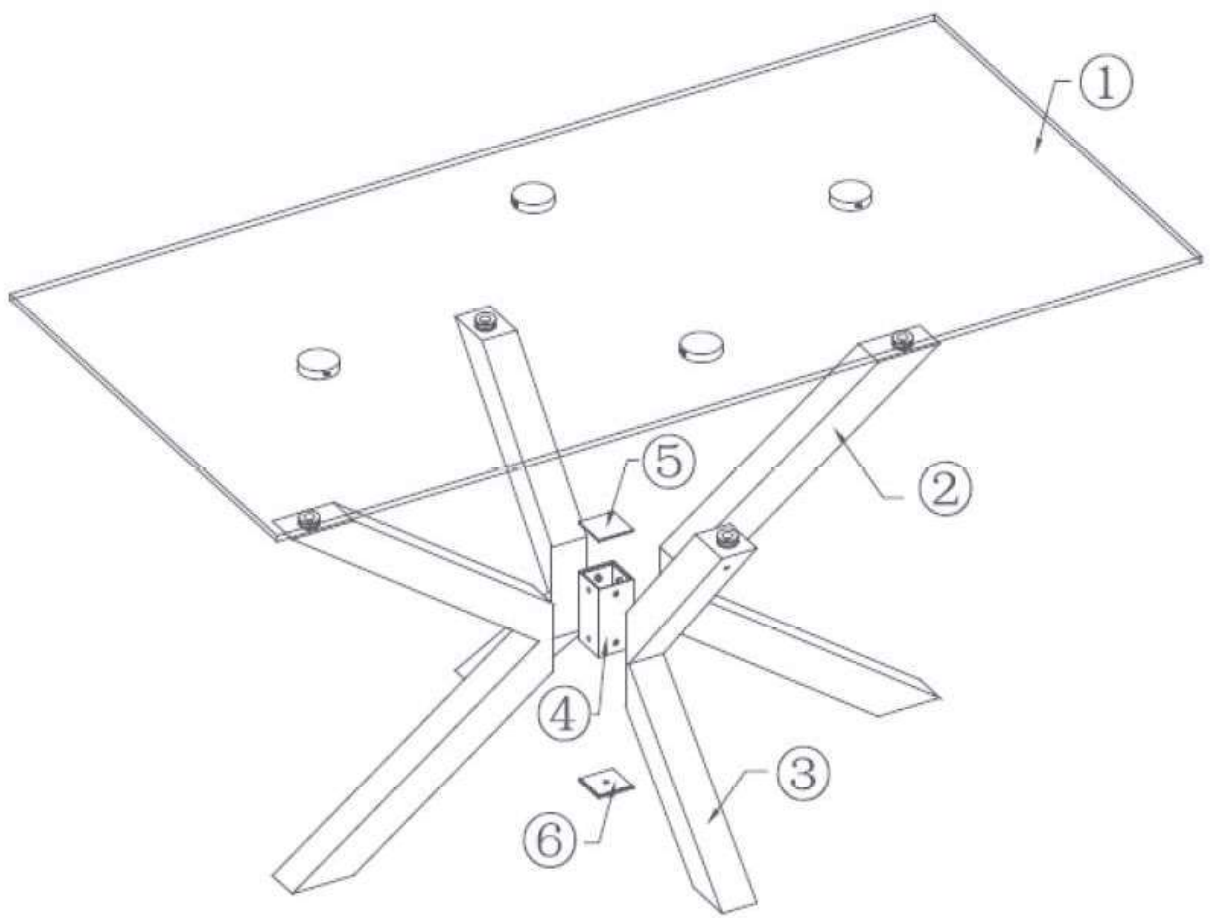
F x1



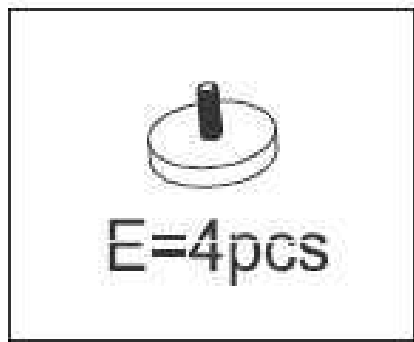
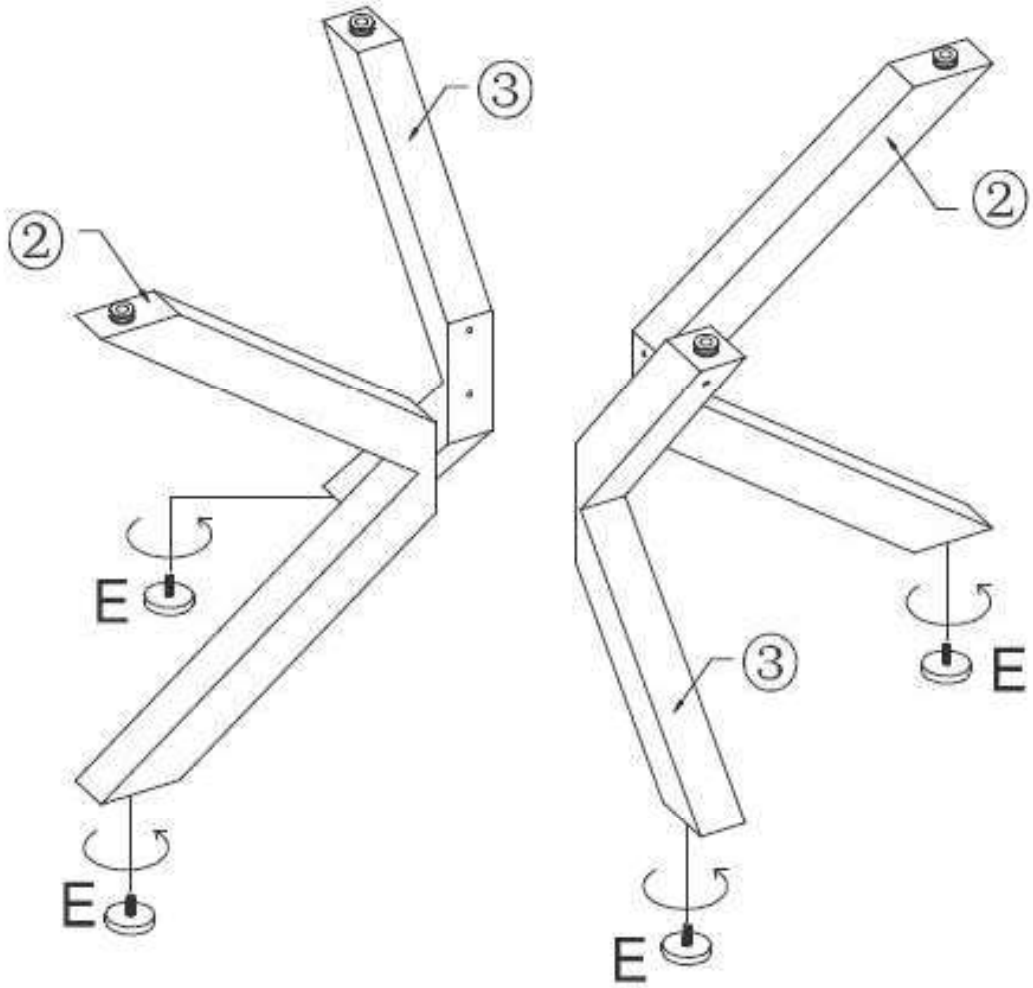
G x1



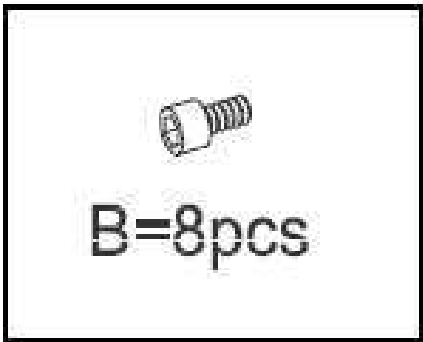
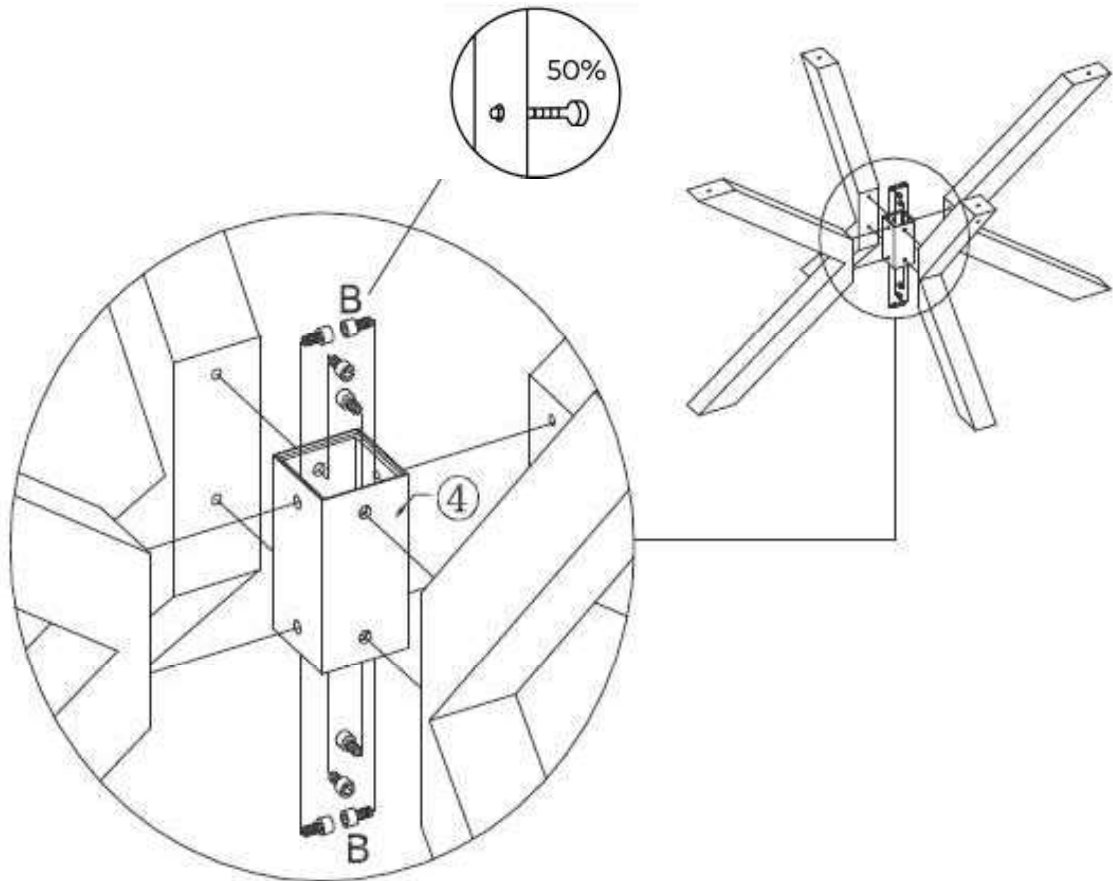
H x1



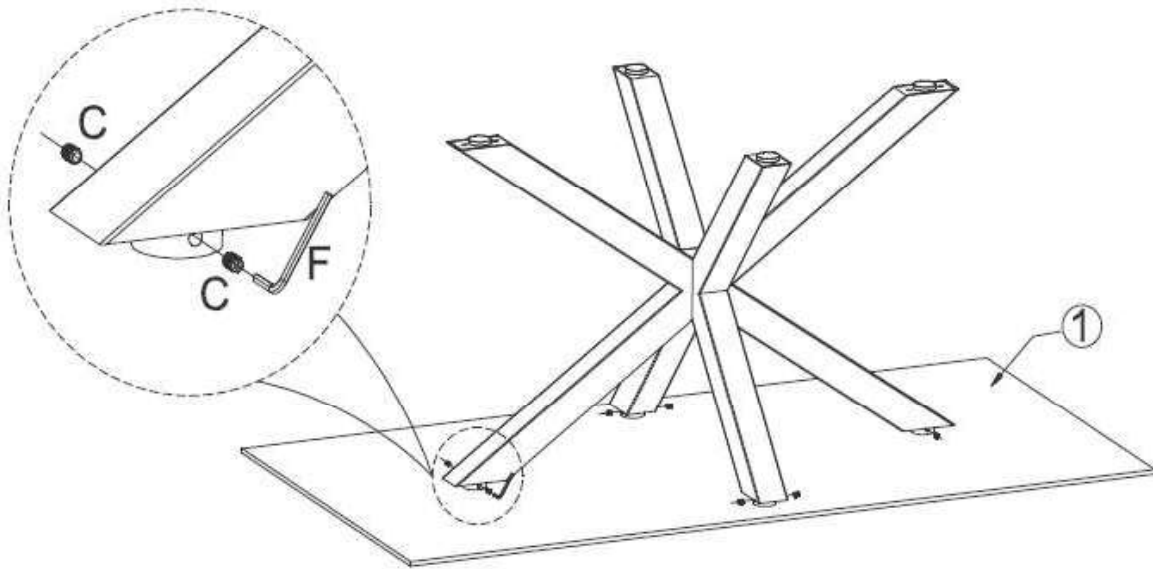
1



2

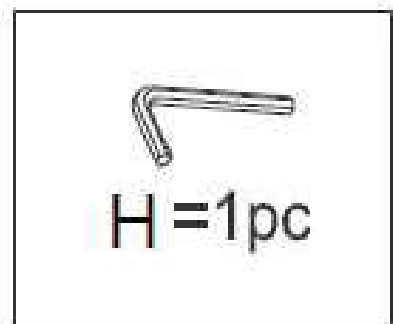
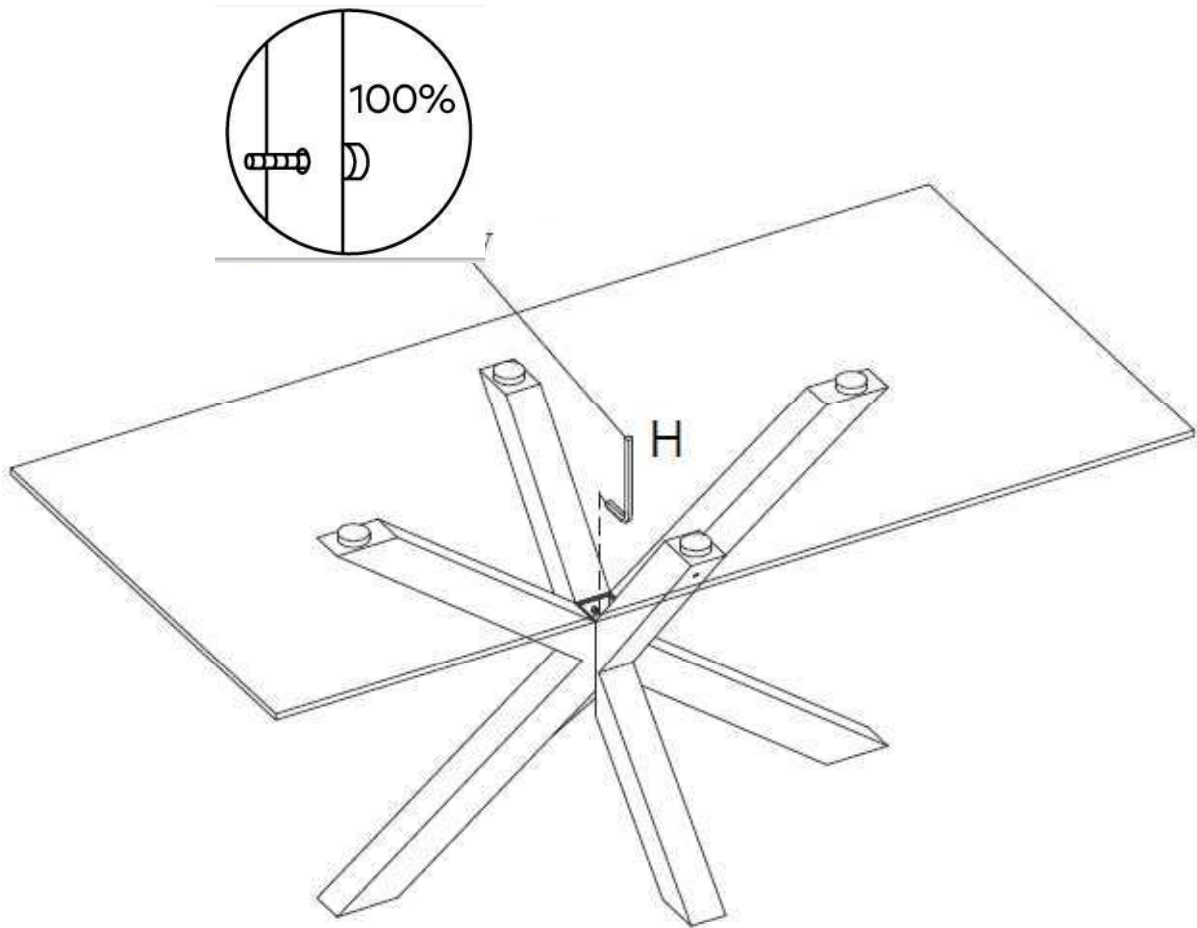


3

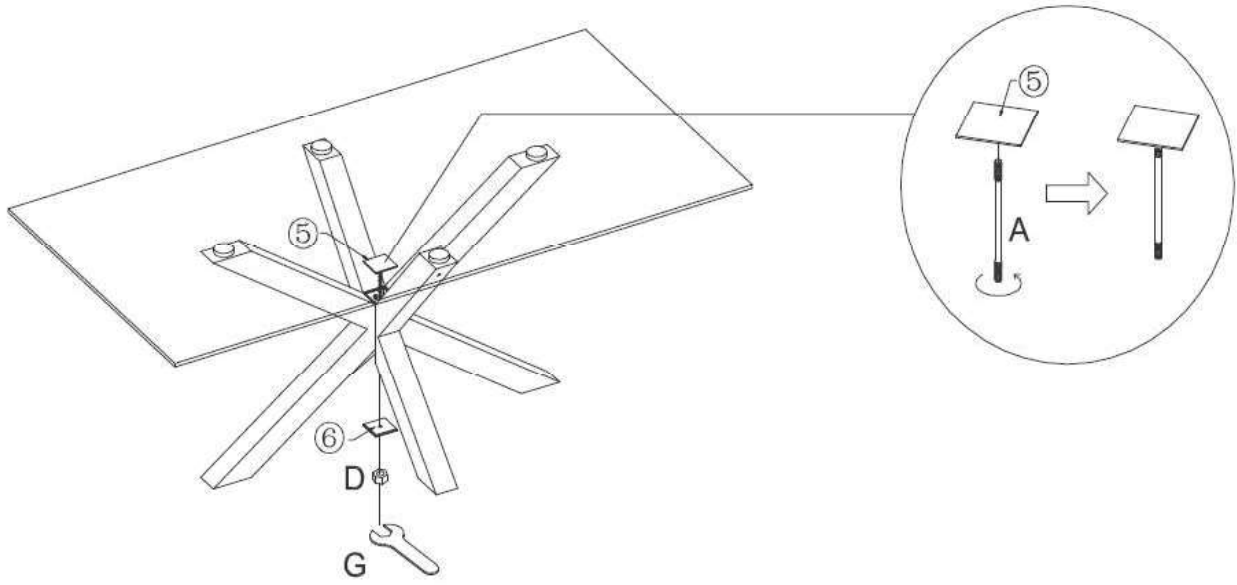


 C=8pcs	 F=1pc
---	--

4



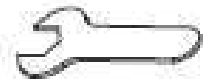
5



A=1pc



D=1pc



G=1pc

6

