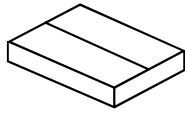
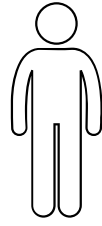




10 min



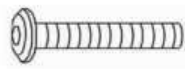
x1



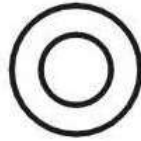
x1



A x1



B x4 (M6x25)



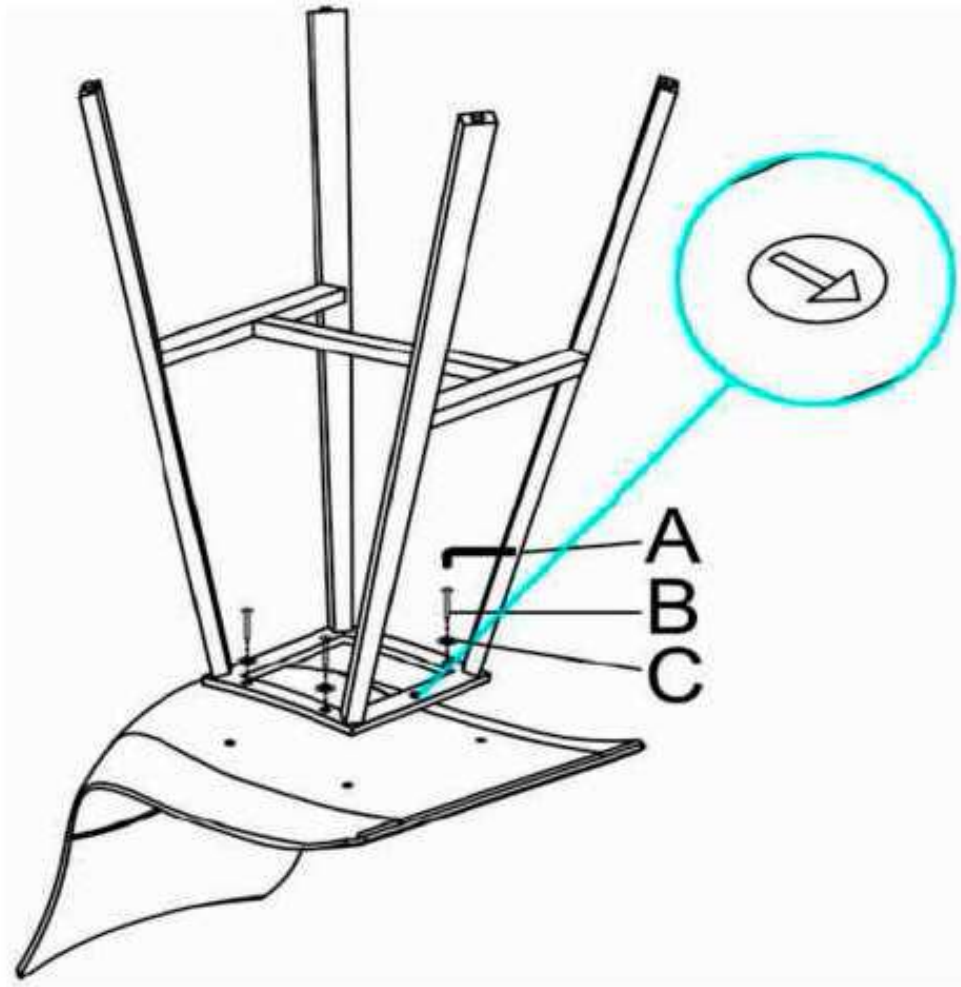
C x4 (ø17x ø6)



D x1



E x1



---

1

